



Features

- Dual Flush System
- Unique sculpted design, high profile Close Coupled Toilet
- WATER SAVING

Specifications

Flush system:	Wash Down
Water Use:	4.5L / 3L
Rough-in:	S-Trap / P-Trap (Selectable)
Bowl Shape:	Regular
Water Pressure:	0.05MPa~0.75MPa
Size:	376W x 690D x 800H mm

Parts description

Fittings & Tank are included
Seat & Cover not included

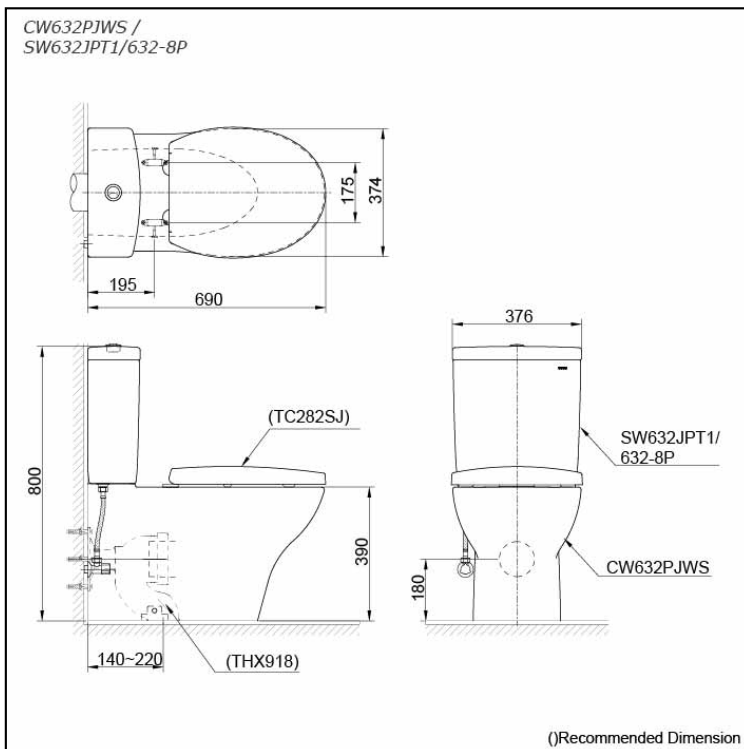
- **CW632JPWS**
Regular Close Coupled Bowl
- **SW632JPT1/632-8P**
Tank & Lid

Optional Parts

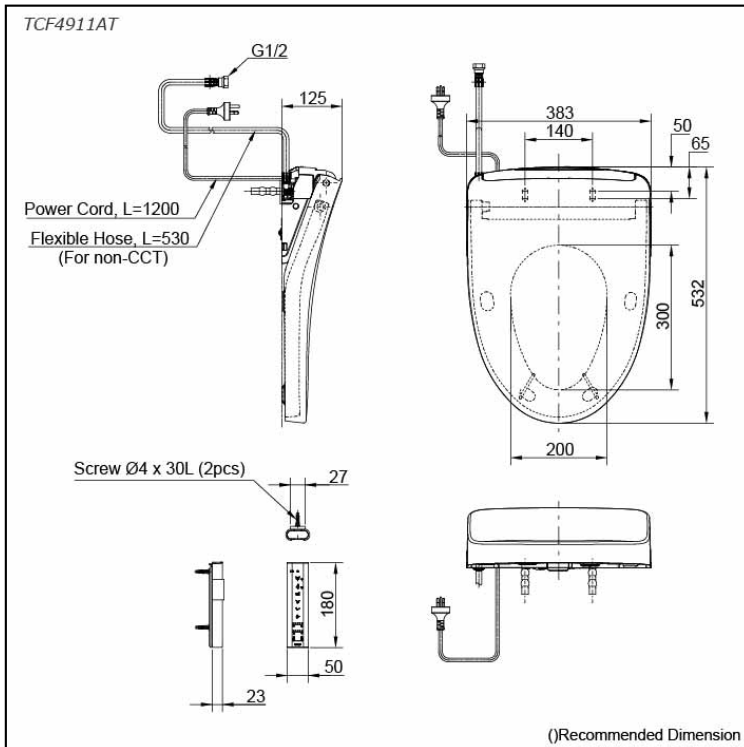
- TC282SJ
Soft Closing Duroplast Seat & Cover
- THX918
Socket (Only for S-Trap)

Colors

White



WASHLET



Features

- EWATER+ spreads out and keeps clean toilet bowl and nozzle by preventing bacterial with sanitizing effect
- Auto lid opening and closing
- Maximized comfort function with new wide front and pulsating cleansing
- Fully equipped with comfortable rear, front and oscillating cleansing functions
- Build-in with Motion Sensor - Microwave technology
- Infrared Sensor for remote control capabilities
- Adjustable WARM AIR DRYING
- HEATED SEAT with temperature control
- Auto powerful DEODORIZER activates after every usage

EWATER+ is made from tap water by electrolyzed chloride ion without any chemicals. After use, it returns to normal water in the state of safe and environmental friendly

Specifications

Bowl Shape:	Elongated
Water Pressure:	0.05Mpa~0.75Mpa
Power Rating:	220~240V , 50/60Hz, 830~839W
Length of Power Cord:	1.2 m
Material:	Plastic
Size:	383W x 532D x 125H mm

Parts description

- TCF4911AT WASHLET Elongated

Colors

White #NW1