

WALL HUNG TOILET



Features

- Wall Hung Type, easy cleaning
- TORNADO FLUSH for powerful flushing effect with less amount of water
- CEFIONTECT prevent debris on toilet surface
- RIMLESS DESIGN bowl ensures easy cleaning and ultimate hygiene
- WATER SAVING

Specifications

Flush system:	TORNADO FLUSH
Water Use:	4.5L / 3L
Rough-in:	H=220 mm (P-Trap)
Bowl Shape:	D-Shape
Water Pressure:	0.05MPa~0.75MPa
Size:	394W x 530D x 339H mm

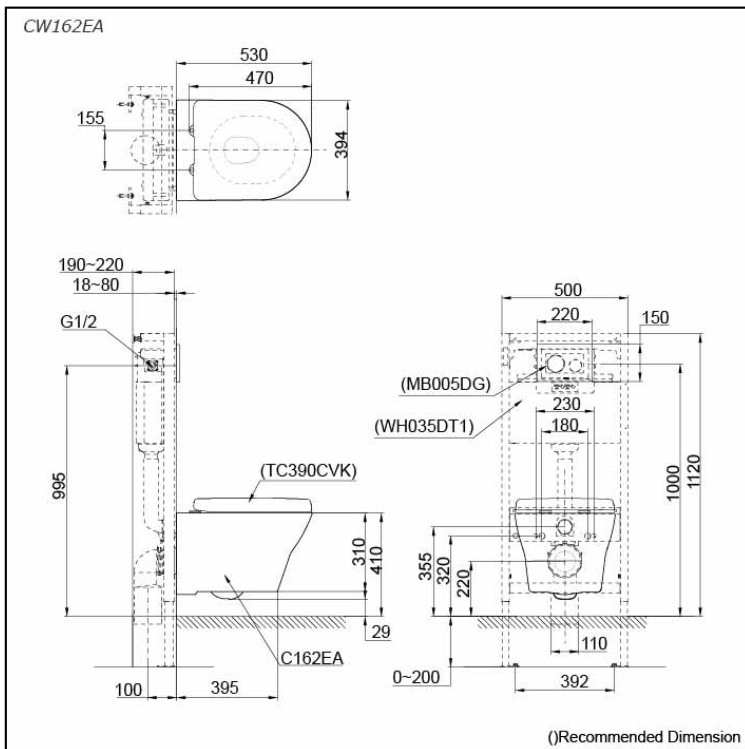
Parts description

Fittings and Seat & Cover are not included

- **CW162EA**
D-Shape Wall Hung Toilet

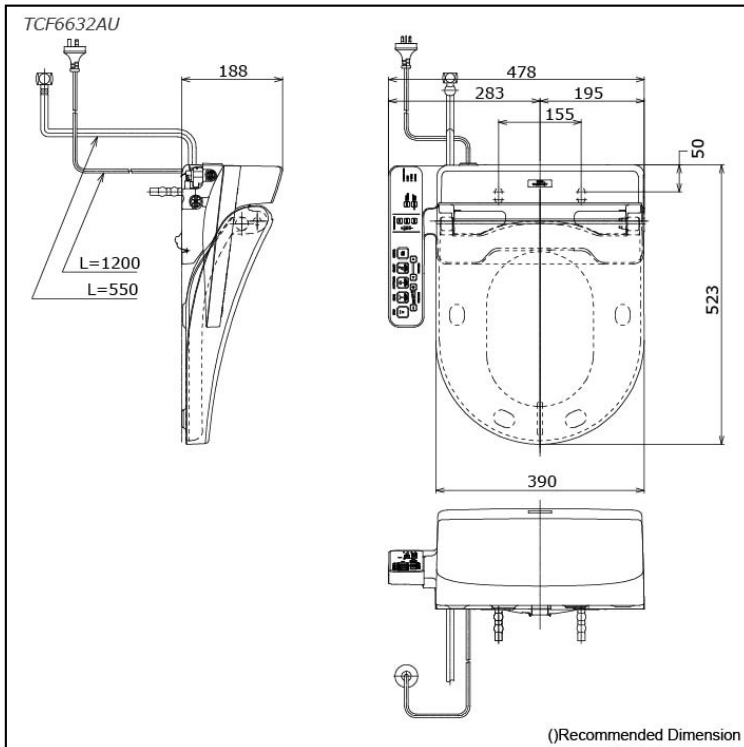
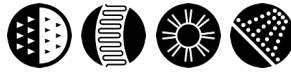
Optional Parts

- TC390CVK
Soft Close Seat & Cover (Urea Resin)
- WH035DT1
Concealed Cistern w/ Frame
- WH037DT1
Concealed Cistern w/ Frame (Low Type)
- MB005DG
Flush Panel



Colors

White (CEFIONTECT)



Features

- Fully equipped with comfortable rear, front, and oscillating cleansing functions
- Adjustable warm air dryer
- Auto powerful deodorizer activates after every usage
- Soft closing seat and cover
- Heated seat with temperature control
- Premist water is sprayed inside the toilet bowl to make it difficult for dirt to adhere
- Energy-saving function
- Easy remove for cleaning

Specifications

Bowl Shape:	D-Shape
Water Pressure:	0.05Mpa~0.75Mpa
Power Rating:	220~240V , 50/60Hz , 262~307W
Length of Power Cord:	1.2 m
Material:	Plastic
Size:	478W x 523D x 188H mm

Parts description

- TCF6632AU
WASHLET
D-Shape

Colors

White