

#### CLOSE COUPLED TOILET



### Features

- Contemporary and elegant design
- Dual Flush System
- WATER SAVING
- CEFIONTECT technology; super smooth ion barrier glazing for a clean Toilet bowl
- Soft-closing seat & cover

### Specifications

Flush system:	Siphon
Water Use:	4.5L / 3L
Rough-in:	305 mm (S-Trap)
Bowl Shape:	Elongated
Water Pressure:	0.05MPa~0.75MPa
Size:	365W x 696D x801H mm

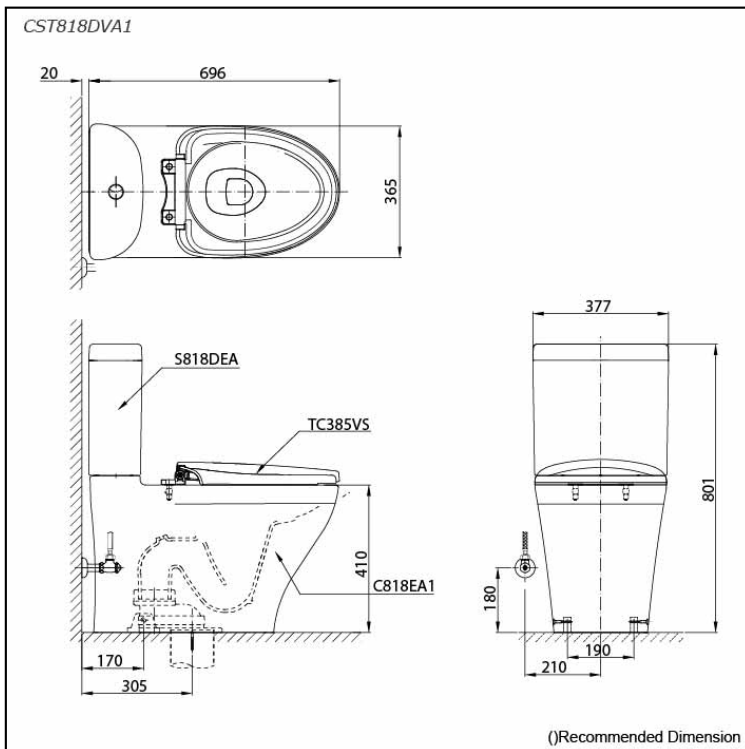
### Parts description

Fitting & Tank and Seat & Cover are Included

- **C818EA1**  
Elongated Close Coupled Toilet
- **S818DEA**  
Tank Trim
- **TC385VS**  
Soft Close Seat & Cover

### Colors

White





## Features

- Fully equipped with comfortable rear, front, and oscillating cleansing functions
- Adjustable warm air dryer
- Auto powerful deodorizer activates after every usage
- Soft closing seat and cover
- Heated seat with temperature control
- Premist water is sprayed inside the toilet bowl to make it difficult for dirt to adhere
- Energy-saving function
- Easy remove for cleaning

## Specifications

Bowl Shape:	Elongated
Water Pressure:	0.05Mpa~0.75Mpa
Power Rating:	220~240V , 50/60Hz , 262~307W
Length of Power Cord:	1.2 m
Material:	Plastic
Size:	478W x 522D x 188H mm

## Parts description

- TCF6631AX1W  
WASHLET  
Elongated/Regular bowl adjustable

## Colors

White

